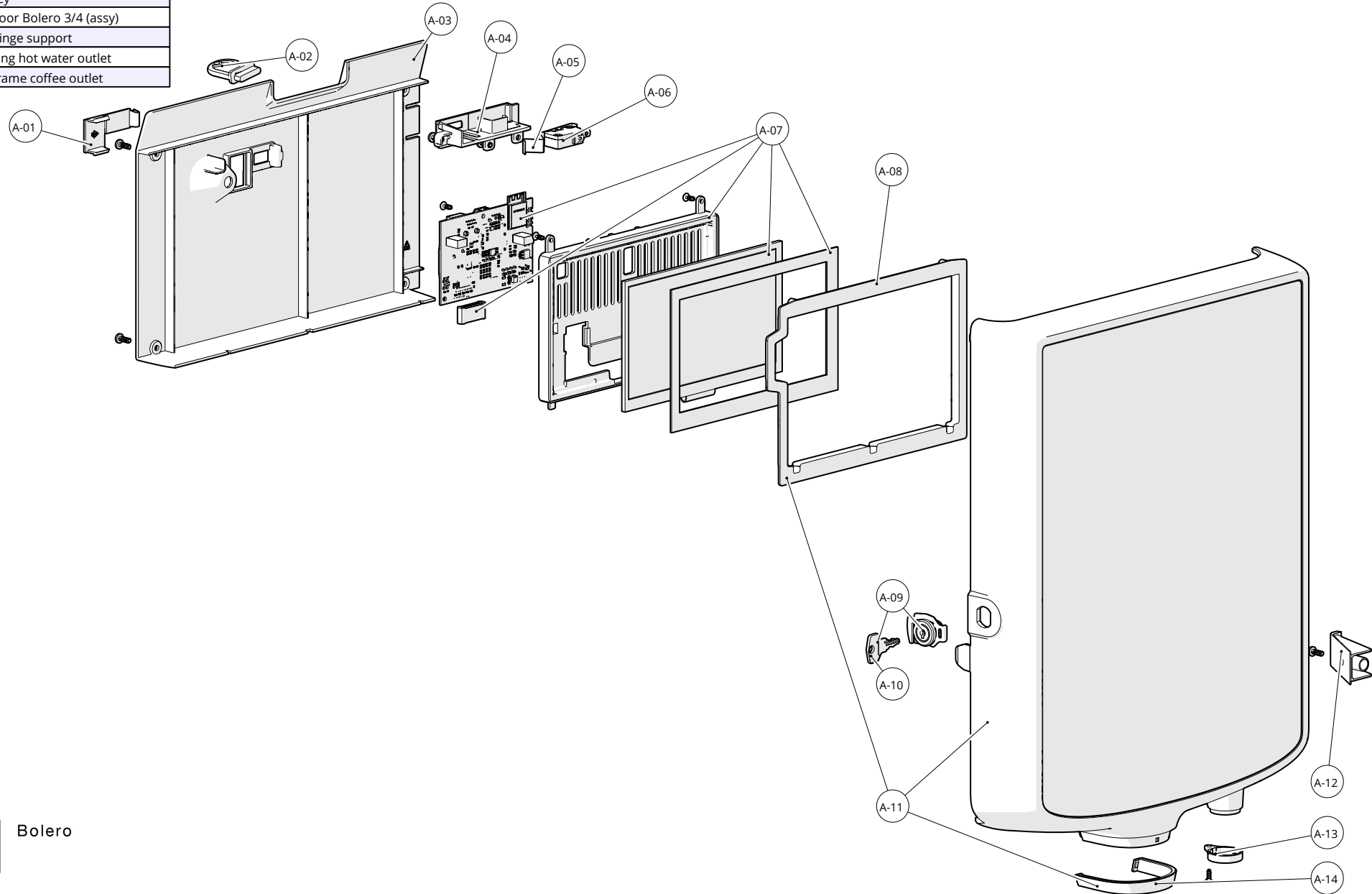
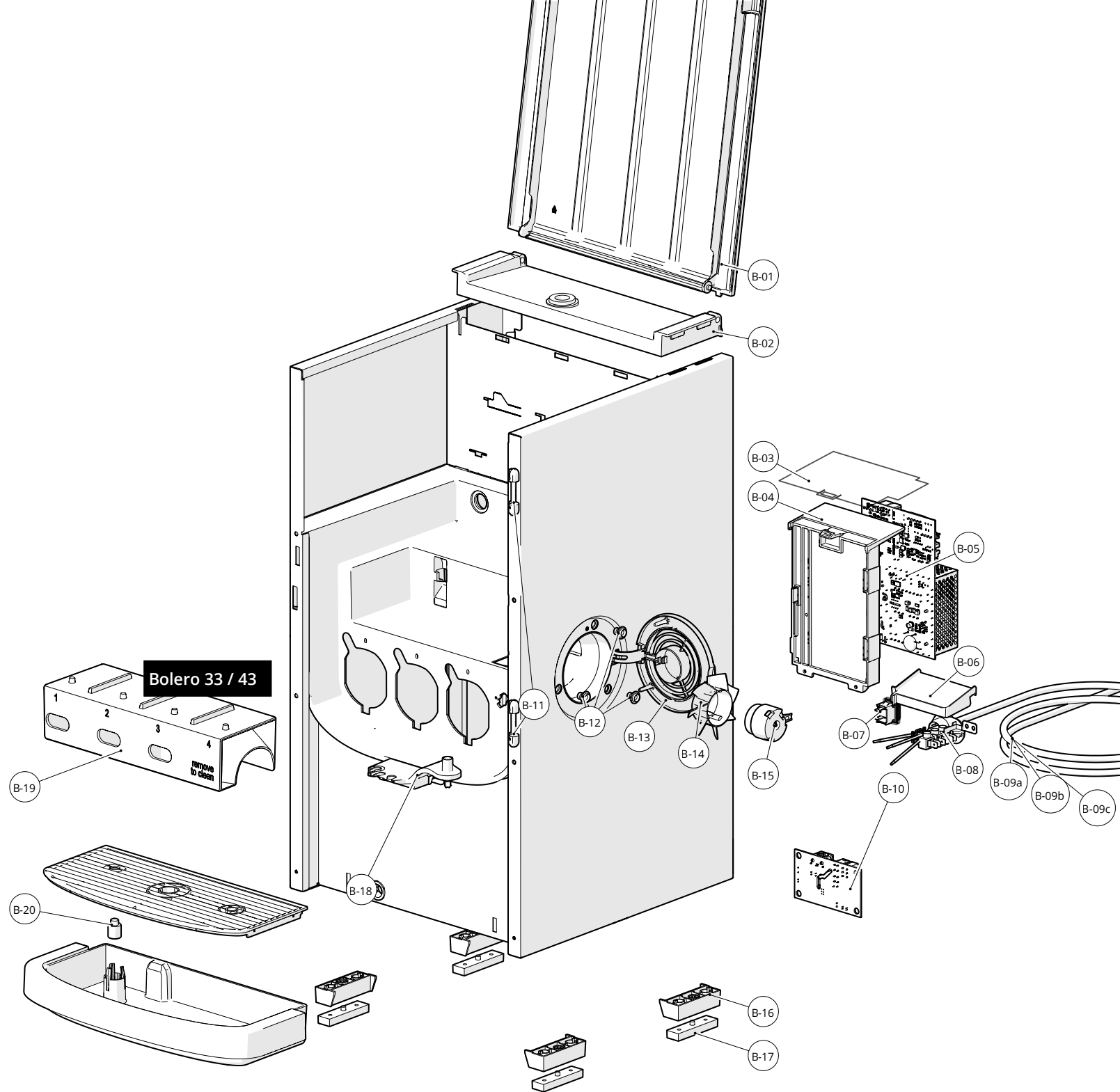


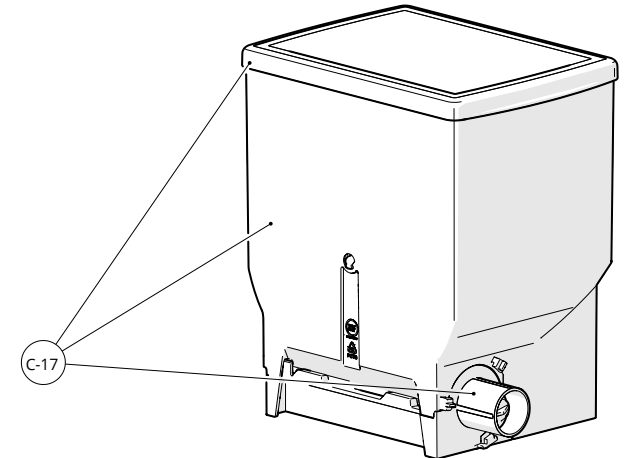
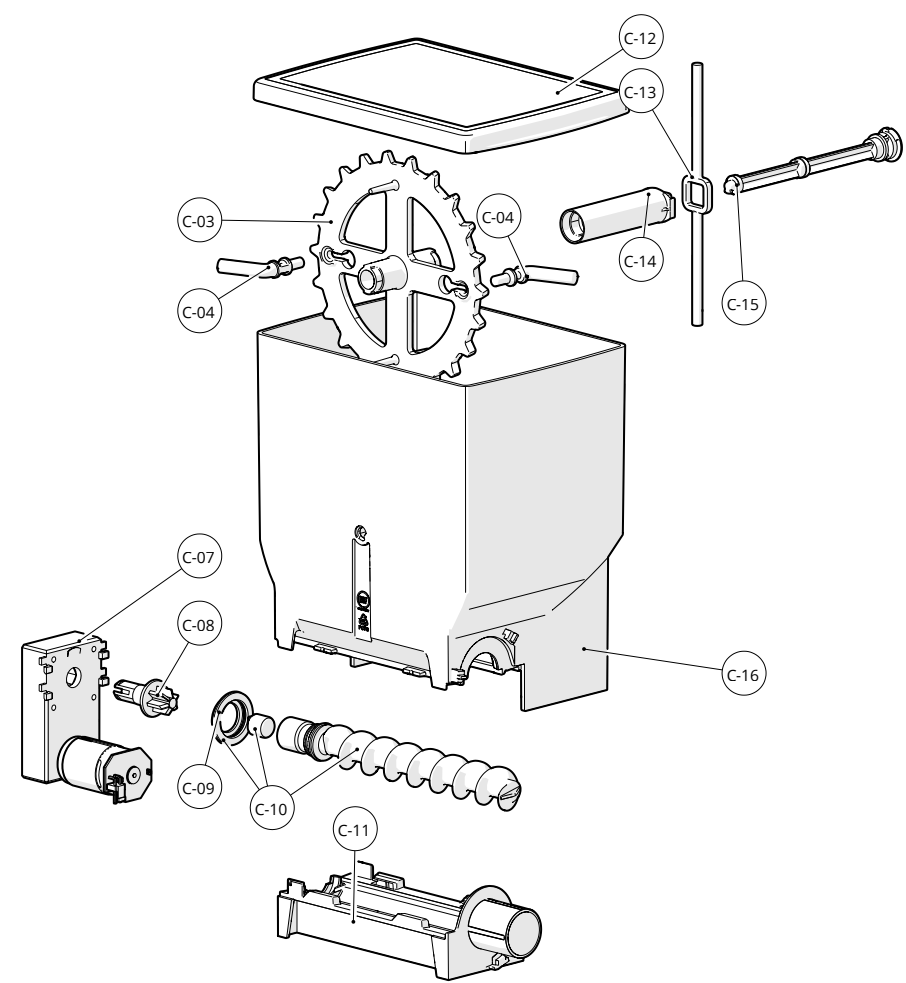
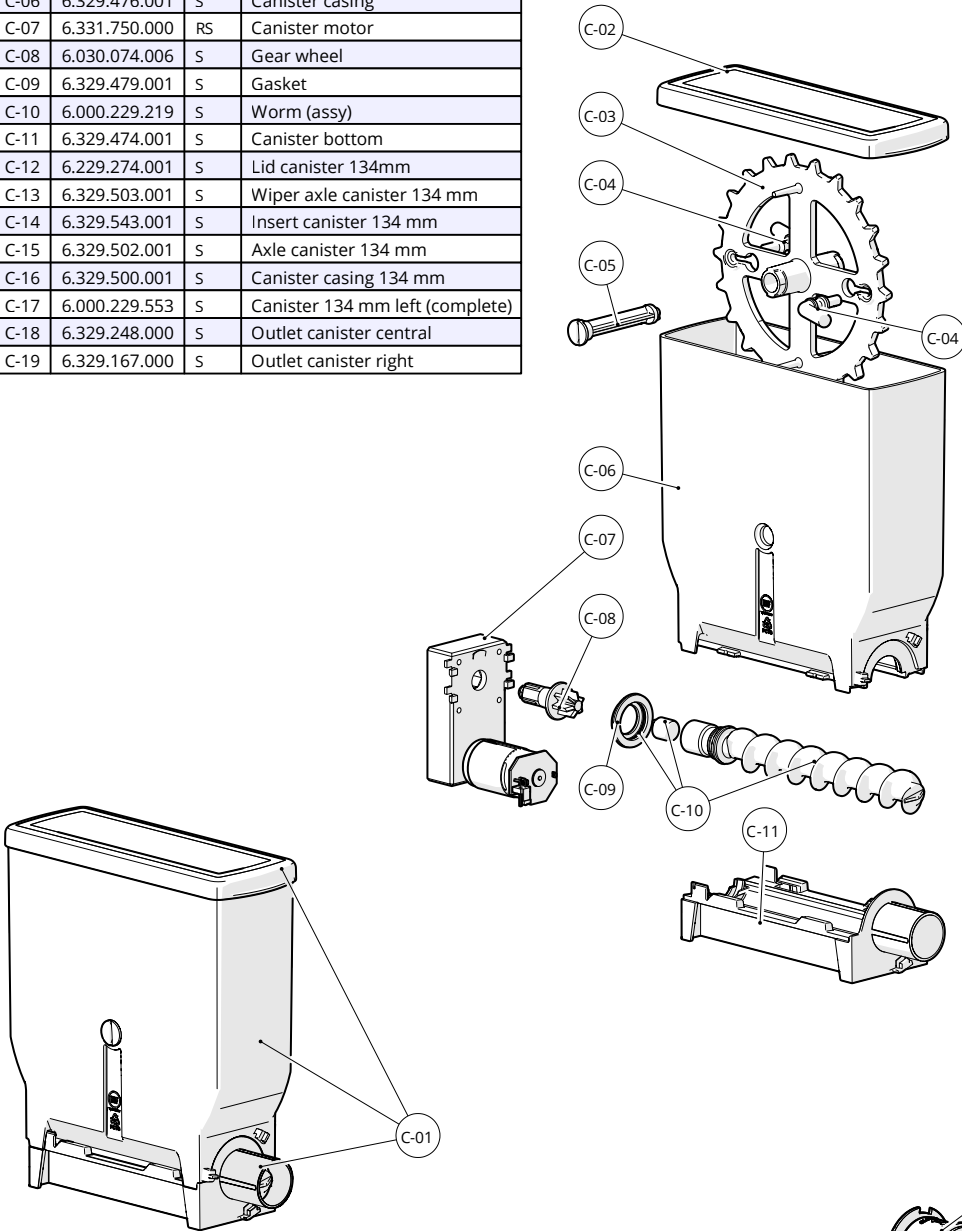
ID	Service parts	S-RS	Description
A-01	6.429.076.001	DT	Cover USB/UTP
A-02	6.231.044.001	S	Service key
A-03	6.429.049.001	S	Cover print
A-04	6.429.135.001	DT	Mounting plate door switch
A-05	6.429.136.001	DT	Spring door contact switch
A-06	6.004.001.098	RS	Micro switch door
A-07	6.429.165.000	RS	HMI board + display
A-08	6.429.039.001	S	Bracket HMI board Bolero 3/4
A-09	6.014.004.052	S	Lock with keys/spring clamp
A-10	6.014.012.017	S	Key
A-11	6.429.169.000	S	Door Bolero 3/4 (assy)
A-12	6.429.084.001	S	Hinge support
A-13	6.429.155.000	S	Ring hot water outlet
A-14	6.429.034.000	S	Frame coffee outlet



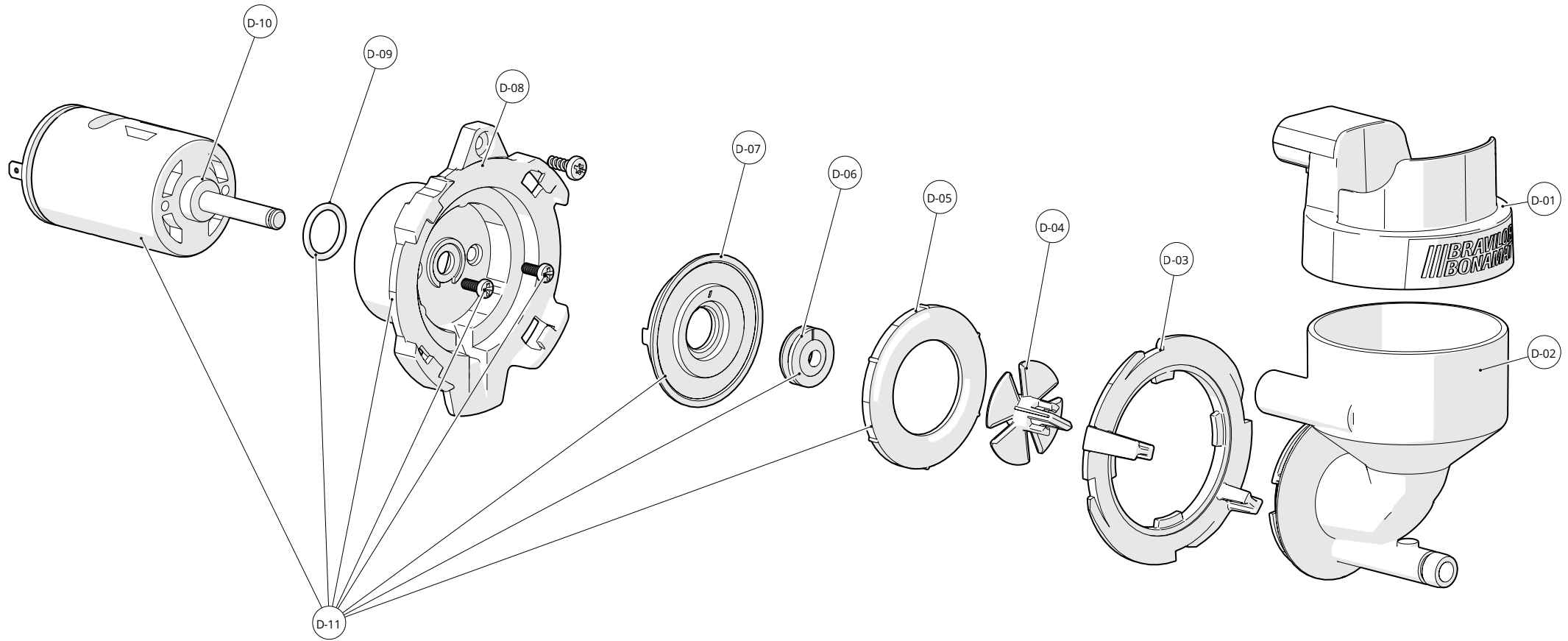
ID	Service parts	S-RS	Description
B-01	6.429.030.001	S	Lid
B-02	6.329.613.000	DT	Lid support
B-03	6.429.152.001	DT	Foil
B-04	6.331.550.001	DT	Bracket powerboard
B-05	6.429.071.000	RS	Mainboard I/O 230V
B-06	6.429.095.001	DT	Cover cord inlet
B-07	6.004.001.089	RS	Micro switch
B-08	6.006.001.101	S	Cord inlet with pull relief
B-09a	6.003.012.060	S	Connection cord (EU)
B-09b	6.003.012.118	S	Connection cord (GB)
B-09c	6.003.012.057	S	Connection cord (DK)
B-10	6.271.037.000	RS	Interface/MDB print
B-11	6.429.149.001	S	Hinge black
B-12	6.231.204.001	S	Vibration damper
B-13	6.331.099.001	S	Grid fan
B-14	6.231.194.001	S	Rotor fan
B-15	6.000.229.221	RS	Fan motor
B-16	6.429.087.001	DT	Raiser foot
B-17	6.329.060.001	S	Foot
B-18	6.429.044.001	S	Bracket outlets Bolero 3/4
B-19	6.429.041.001	S	Fan duct (3 mix units)
B-20	6.229.116.001	S	Float drip-tray
B-21	6.006.002.034	S	Tightening plug black 16 mm
B-22	6.429.055.001	S	Fan duct (2 mix units)



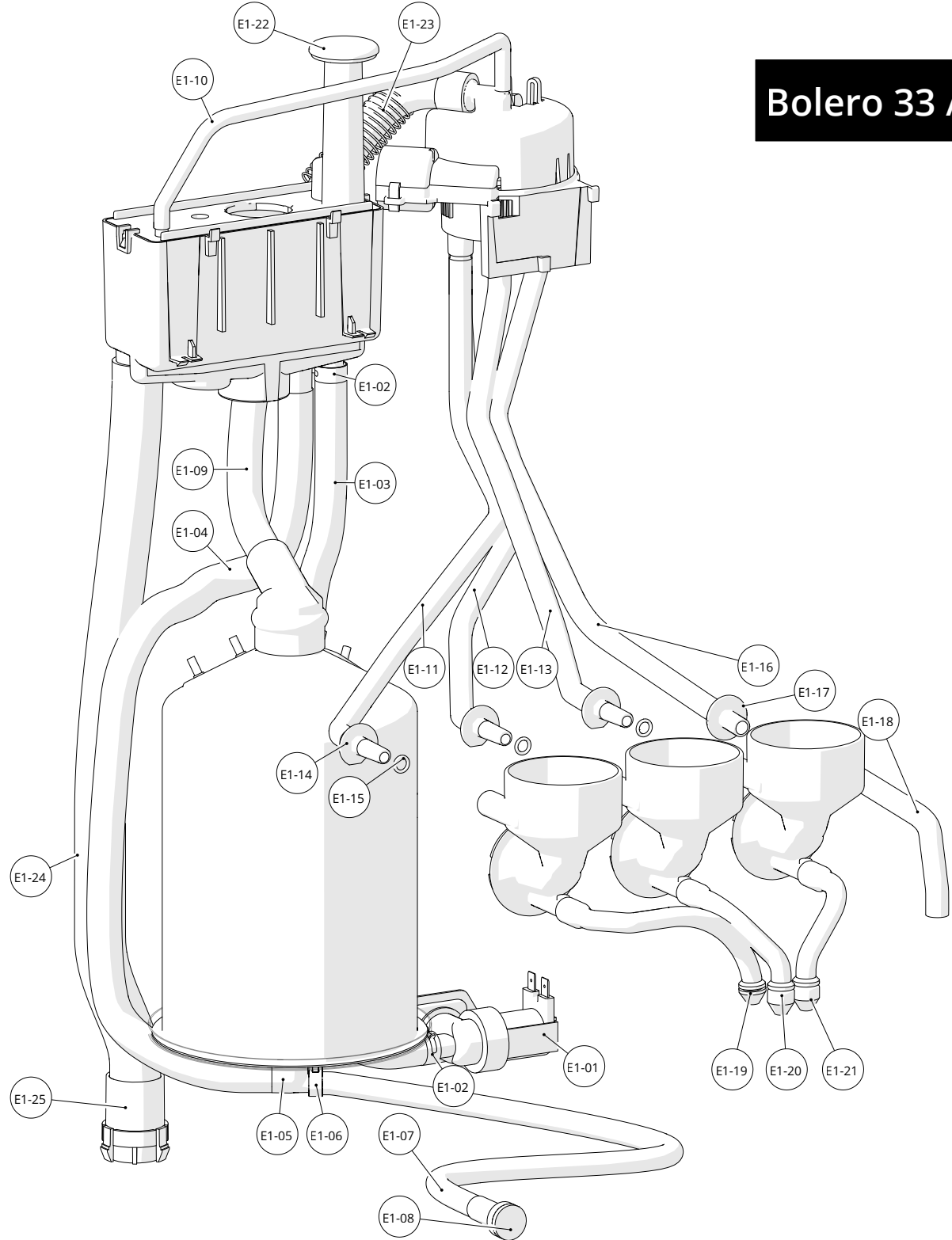
ID	Service parts	S-RS	Description
C-01	6.000.229.183	S	Canister 65 mm (complete)
C-02	6.329.480.000	S	Lid canister 65mm
C-03	6.329.477.001	S	Drive shaft </td
C-04	6.329.478.001	S	Wiper
C-05	6.329.486.001	S	Axle
C-06	6.329.476.001	S	Canister casing
C-07	6.331.750.000	RS	Canister motor
C-08	6.030.074.006	S	Gear wheel
C-09	6.329.479.001	S	Gasket
C-10	6.000.229.219	S	Worm (assy)
C-11	6.329.474.001	S	Canister bottom
C-12	6.229.274.001	S	Lid canister 134mm
C-13	6.329.503.001	S	Wiper axle canister 134 mm
C-14	6.329.543.001	S	Insert canister 134 mm
C-15	6.329.502.001	S	Axle canister 134 mm
C-16	6.329.500.001	S	Canister casing 134 mm
C-17	6.000.229.553	S	Canister 134 mm left (complete)
C-18	6.329.248.000	S	Outlet canister central
C-19	6.329.167.000	S	Outlet canister right



ID	Service parts	S-RS	Description
D-01	6.429.085.001	S	Condense reservoir
D-02	6.229.805.001	S	Mixing chamber 6 mm
D-03	6.229.809.001	S	Fastening ring
D-04	6.229.803.001	S	Mixer
D-05	6.229.806.001	S	Gasket mixer
D-06	6.030.071.020	S	Gasket mixer
D-07	6.229.807.001	S	Gasket holder
D-08	6.229.810.001	S	Plate mixer motor
D-09	6.011.001.094	S	O-ring 13x2
D-10	6.030.070.022	RS	Mixer motor
D-11	6.000.229.085	RS	Mixer motor complete

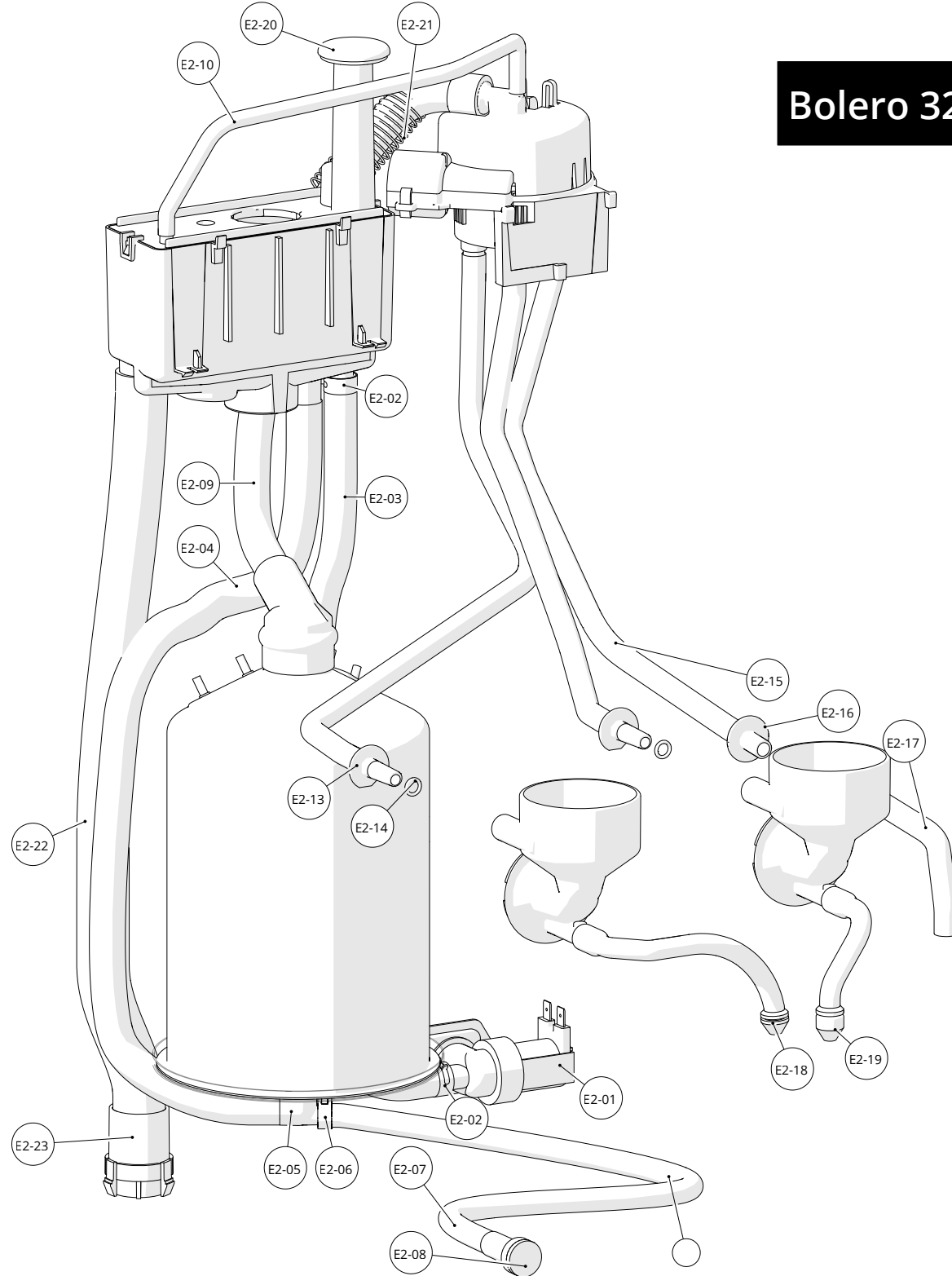


ID	Service parts	S-RS	Description	mm
E1-01	6.016.001.133	RS	Magnetic valve 2l/min	
E1-02	6.001.079.003	S	Tube clamp 15.6 mm	
E1-03	6.019.033.014	S	Silicone tube 9.5x3	430
E1-04	6.019.033.013	S	Silicone tube 11.5x3	430
E1-05	6.231.132.001	S	T-coupling $\varnothing 16 \times \varnothing 16 \times \varnothing 8$	
E1-06	6.001.079.001	S	Tube clamp 12.7 mm	
E1-07	6.268.271.001	S	Hose	585
E1-08	6.006.002.018	S	Tightening plug 10.1x18x18	
E1-09	6.429.148.001	S	Tube hot water outlet	310
E1-10	6.019.033.009	S	Silicone tube 4x1.5	265
E1-11	6.019.033.004	S	Silicone tube 7.5x2	405
E1-12	6.019.033.004	S	Silicone tube 7.5x2	365
E1-13	6.019.033.004	S	Silicone tube 7.5x2	335
E1-14	6.229.580.001	S	Water inlet 6 mm	
E1-15	6.011.001.152	S	O-ring 6.02x1.63	
E1-16	6.019.033.004	S	Silicone tube 7.5x2	315
E1-17	6.429.043.001	S	Coupling hot water tubes	
E1-18	6.019.033.019	S	Silicone tube 9x2.5 black	120
E1-19	6.329.559.001	S	Tube mixing unit	
E1-20	6.429.150.001	S	Tube mixing unit	
E1-21	6.429.063.001	S	Tube mixing unit	
E1-22	6.402.010.001	S	Descaling plug	
E1-23	6.014.017.007	DT	Spring	
E1-24	6.236.353.001	DT	Overflow tube	420
E1-25	6.229.760.001	S	Nipple	

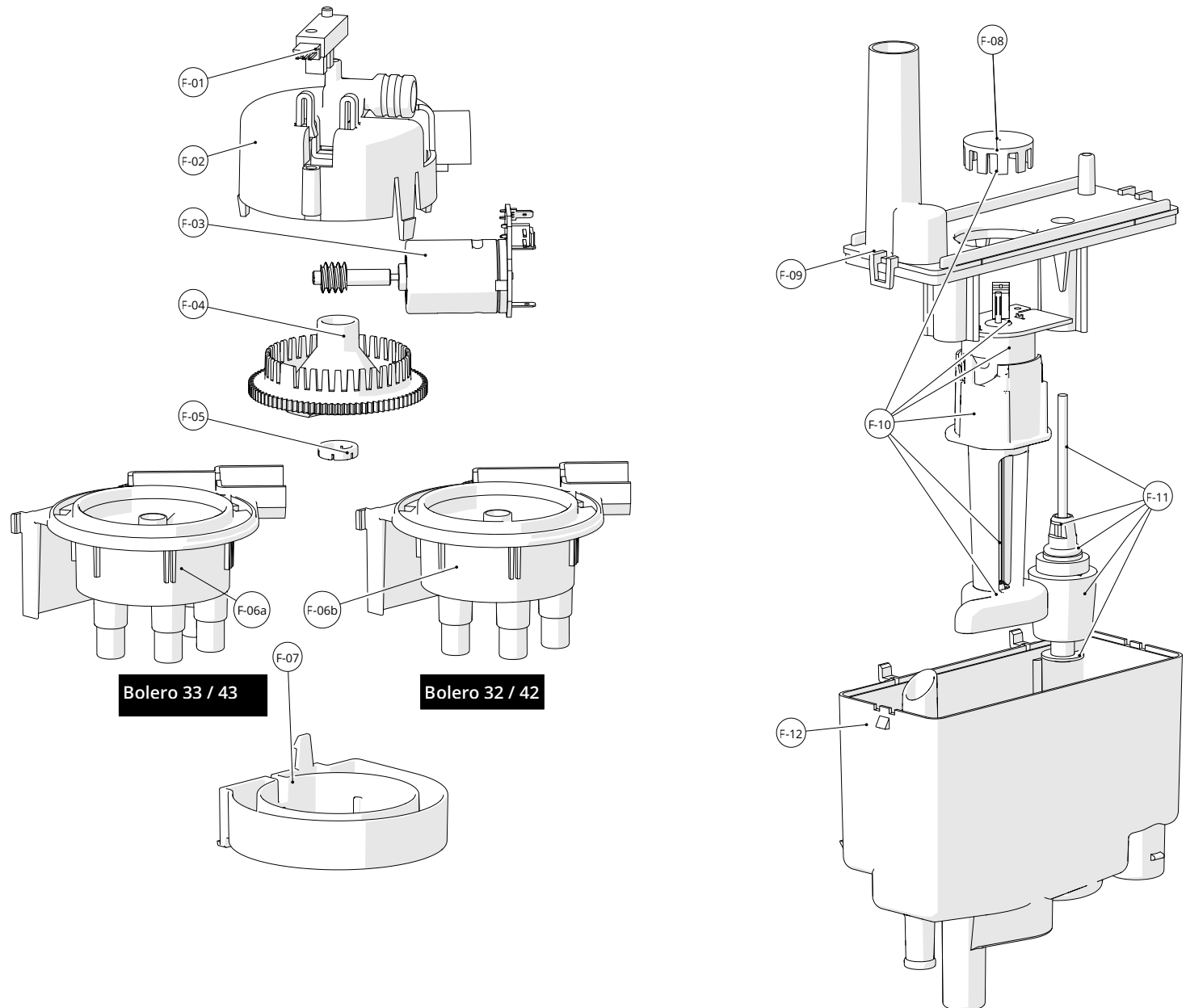


ID	Service parts	S-RS	Description	mm
E2-01	6.016.001.133	RS	Magnetic valve 2l/min	
E2-02	6.001.079.003	S	Tube clamp 15.6 mm	
E2-03	6.019.033.014	S	Silicone tube 9.5x3	430
E2-04	6.019.033.013	S	Silicone tube 11.5x3	430
E2-05	6.231.132.001	S	T-coupling $\varnothing 16 \times \varnothing 16 \times \varnothing 8$	
E2-06	6.001.079.001	S	Tube clamp 12.7 mm	
E2-07	6.268.271.001	S	Hose	585
E2-08	6.006.002.018	S	Tightening plug 10.1x18x18	
E2-09	6.429.148.001	S	Tube hot water outlet	310
E2-10	6.019.033.009	S	Silicone tube 4x1.5	265
E2-13	6.229.580.001	S	Water inlet 6 mm	
E2-14	6.011.001.152	S	O-ring 6.02x1.63	
E2-15	6.019.033.004	S	Silicone tube 7.5x2	315
E2-16	6.429.043.001	S	Coupling hot water tubes	
E2-17	6.019.033.019	S	Silicone tube 9x2.5 black	120
E2-18	6.329.559.001	S	Tube mixing unit	
E2-19	6.429.063.001	S	Tube mixing unit	
E2-20	6.402.010.001	S	Descaling plug	
E2-21	6.014.017.007	DT	Spring	
E2-22	6.236.353.001	S	Overflow tube	420
E2-23	6.229.760.001	S	Nipple	

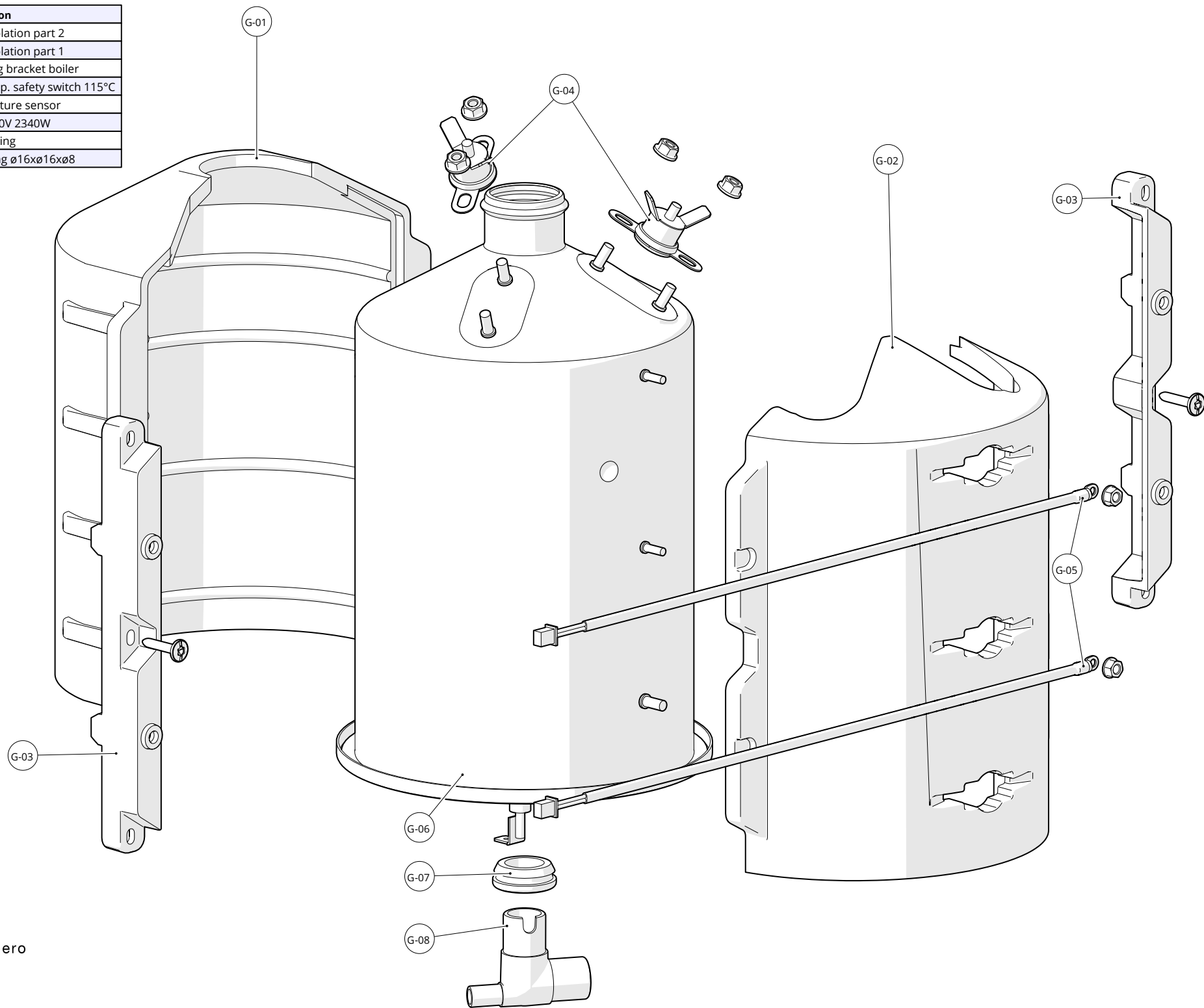
# Bolero 32 / 42



ID	Service parts	S-RS	Description
F-01	6.004.026.001	RS	Light sensor
F-02	6.231.121.001	S	Lid water selector
F-03	6.000.231.188	RS	Motor water selector (assy)
F-04	6.231.120.001	RS	Water rotation disk
F-05	6.229.761.001	S	Water sealing ring
F-06a	6.231.130.001	S	Outlet piece (4 outlets)
F-06b	6.231.131.001	S	Outlet piece (3 outlets)
F-07	6.231.259.001	S	Drip tray water selector
F-08	6.229.594.001	S	Positioning wheel
F-09	6.229.334.001	S	Lid pumpfloat tank
F-10	6.000.229.198	RS	Pump float tank 4000 rpm
F-11	6.229.891.001	S	Float
F-12	6.229.335.001	S	Pumpfloat tank

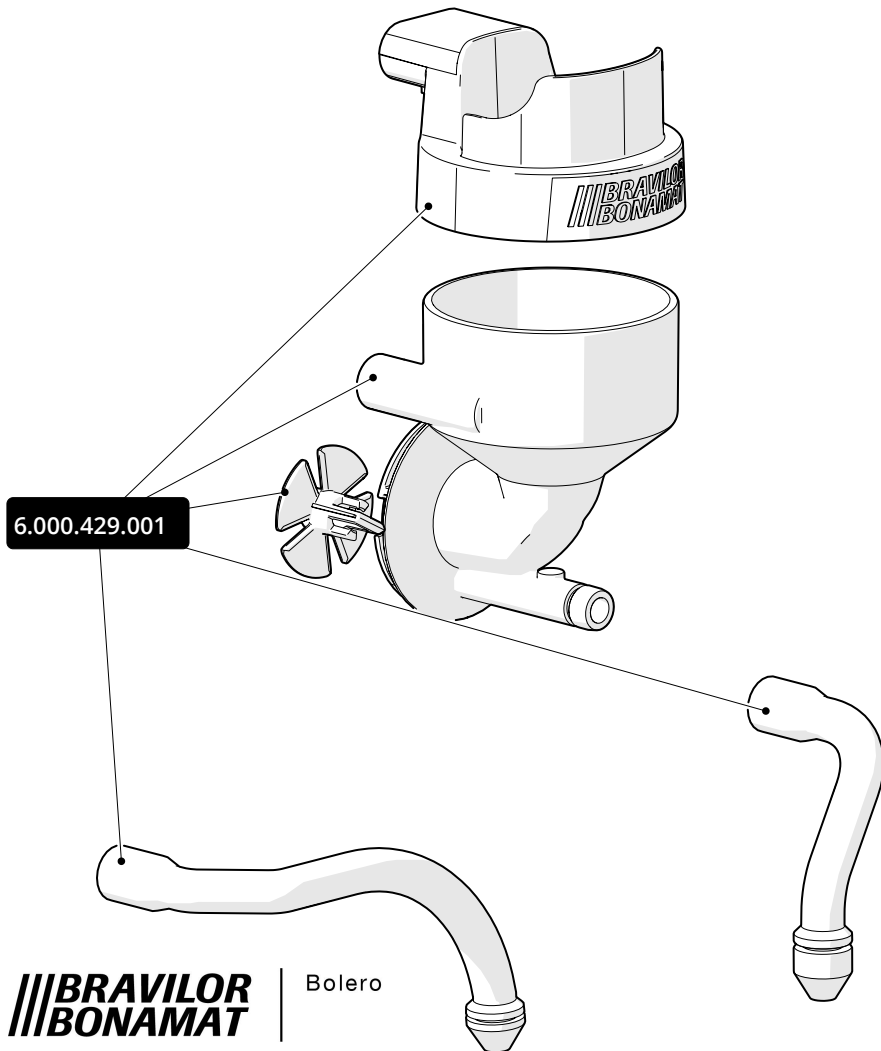


ID	Service parts	S-RS	Description
G-01	6.429.062.002	DT	Boiler isolation part 2
G-02	6.429.062.001	DT	Boiler isolation part 1
G-03	6.429.081.001	S	Mounting bracket boiler
G-04	6.016.008.064	RS	High temp. safety switch 115°C
G-05	6.331.485.000	RS	Temperature sensor
G-06	6.429.086.000	RS	Boiler 240V 2340W
G-07	6.231.191.001	S	Silicone ring
G-08	6.231.132.001	S	T-coupling $\varnothing 16 \times \varnothing 16 \times \varnothing 8$



# Hygiene kits

Bolero 32 / 42



Bolero 33 / 43

